

RGT9

90cm Curved Glass Canopy Rangehood

Euromaid



FEATURES

Finish	Stainless Steel + Glass
Extraction	1000m ³ /h
No. of Speeds	3
Control Type	Touch with Red LED
Lighting	2 x LED
Filters	2 x Baffle

ACCESSORIES

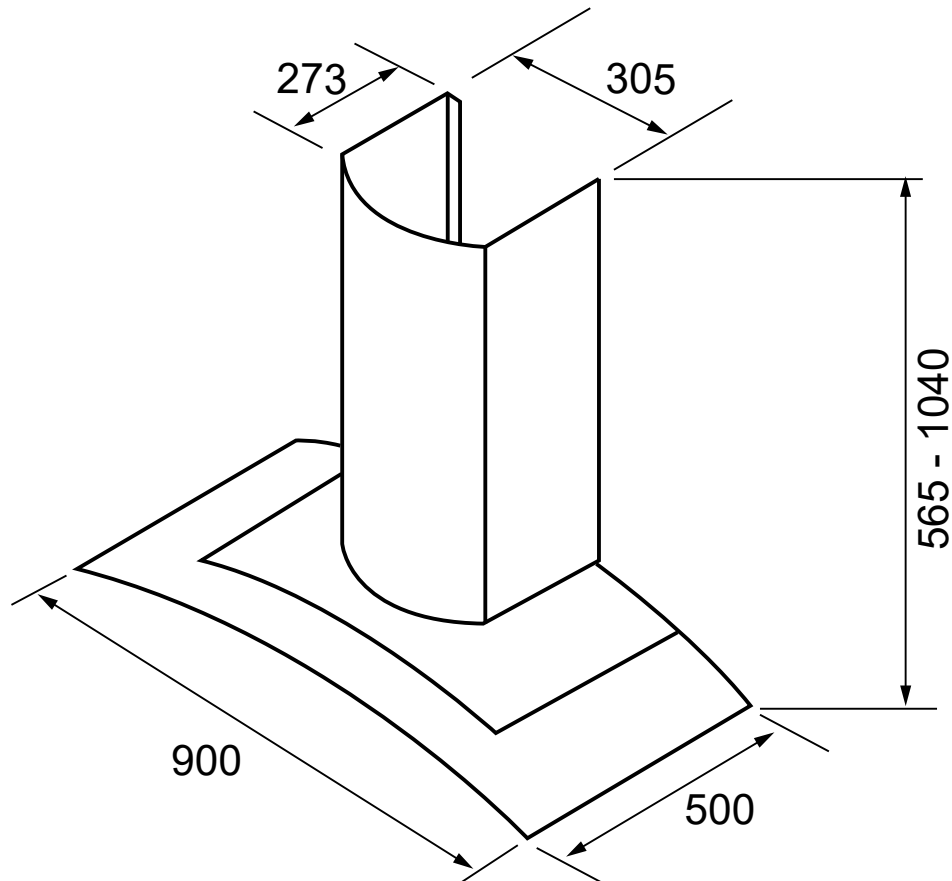
Carbon Filter	CF260 (Optional)
Recirculating Kit	IA150BRK (Optional)
Flue Extension	IAGXSE1 (Optional)



Scan for more info

RGT9

90cm Curved Glass Canopy Rangehood

Euromaid**SPECIFICATIONS**

Electrical Connection	10A Plug
Power	220 - 240V ~ / 50Hz
Motor Wattage	190w
LED Wattage	2 x 1.5w
Power Cord Length	1.5m

DIMENSIONS (W x H x D)

Carton (mm)	950 x 570 x 480
Product (mm)	900 x 565 - 1040 x 500
Recommended Clearance (mm)	650 - 750*
Duct Diameter (mm)	150

WEIGHT

Gross (kg)	23
Net (kg)	19

WARRANTY

Product	2 Years Parts and Labour
---------	--------------------------

*Install the Rangehood in accordance with the manufacturer's instructions. For optimum performance, we recommend that all Rangehood clearances be a minimum of 650mm to a maximum of 750mm between the top of the cooking surface to the underside of the Rangehood. The distance may be reduced to 600mm to align with AS/NZS 5601.

VERSION NO. 20220920

euromaid.com.au