

EFS54FC-DDS

54cm 5 Function Dual Fuel Freestanding Cooker

Euromaid



FEATURES	
Finish	Stainless Steel
Type	Electric Oven and Grill
Oven Capacity	83L
Oven Shelf Positions	5
Grill Capacity	20L
Grill Shelf Positions	1
Controls	Rotary Knobs
Side Racks	Removable
Oven Light	Yes
Cooling System	Yes
Door Glass	Triple Glazed
Timer	120 Minute Mechanical
Cooktop Type	Gas
Cooktop Burners	4
Trivets	Cast Iron
Wok Support	Cast Iron
Flame Safety Device	Yes
Ignition	Automatic

OVEN FUNCTIONS	
Function 1	Light
Function 2	Grill
Function 3	Fan Grill
Function 4	Fan Forced
Function 5	Defrost

COOKTOP BURNERS	
Front Left	Wok 13.7MJ/h
Front Right	Auxiliary 3.6MJ/h
Rear Left	Semi Rapid 6.3MJ/h
Rear Right	Semi Rapid 6.3MJ/h

ACCESSORIES	
Chrome Shelves	2
Tray + Grill Insert	1

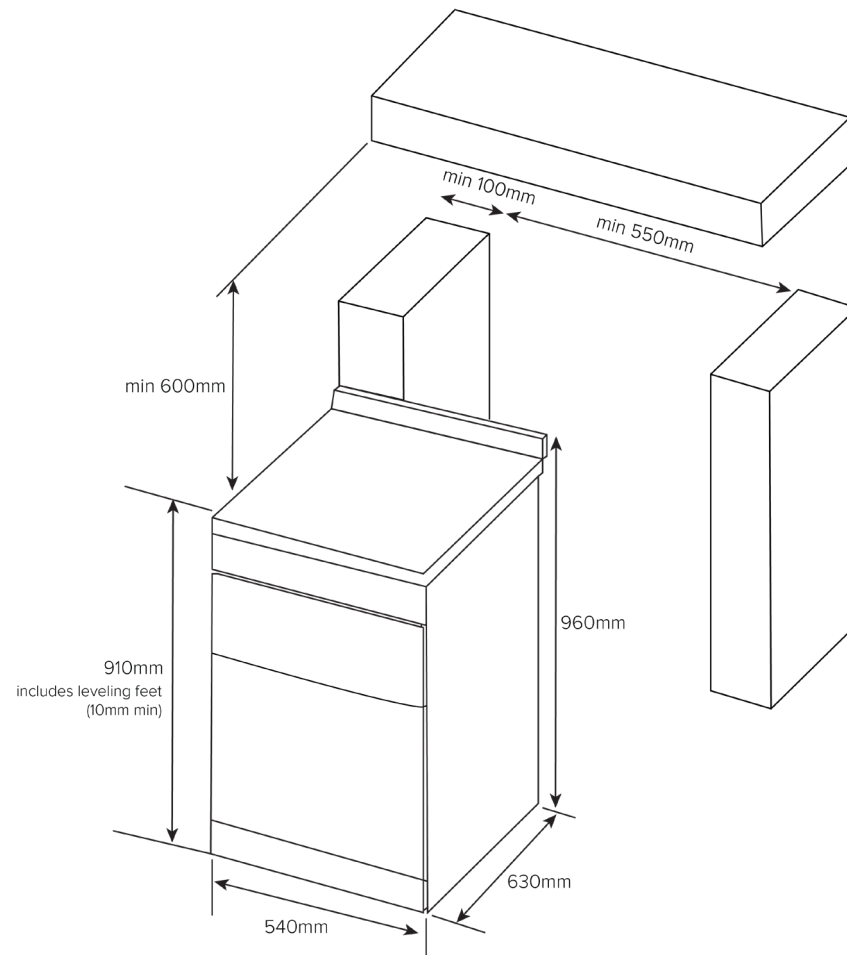


Scan for more info

EFS54FC-DDS

54cm 5 Function Dual Fuel Freestanding Cooker

Euromaid



INSTALLATION

Electrical Connection	15A Plug
Power	220 - 240V / 50 - 60Hz
Total Wattage	3490 - 4170W
Gas Type	NG / ULPG
LPG Conversion Kit	Included
Gas Inlet Type	½" BSP Male
Gas Input NG / ULPG	29.9MJ/h

DIMENSIONS (W x H x D)

Carton (mm)	590 x 990 x 712
Product (mm)	540 x 910 x 630
Cut-Out (mm)*	550 x 1510 x 630

WEIGHT

Gross (kg)	57.1
Net (kg)	48.8

WARRANTY

Product	2 Years Parts and Labour
---------	--------------------------

*Cut-out height includes minimum distance required to rangehood.

VERSION NO. 20220802

euromaid.com.au