

# AAG9SE3

## 90cm Curved Glass Canopy Rangehood

Euromaid



### FEATURES

Finish	Stainless Steel
Extraction	700m <sup>3</sup> /h
No. of Speeds	3
Control Type	Mechanical Button
Lighting	2 x LED
Filters	2 x Mesh

### ACCESSORIES

Carbon Filter	CF110 (Optional)
Recirculating Kit	IA150GRK (Optional)
Flue Extension	IAGXSE1 (Optional)

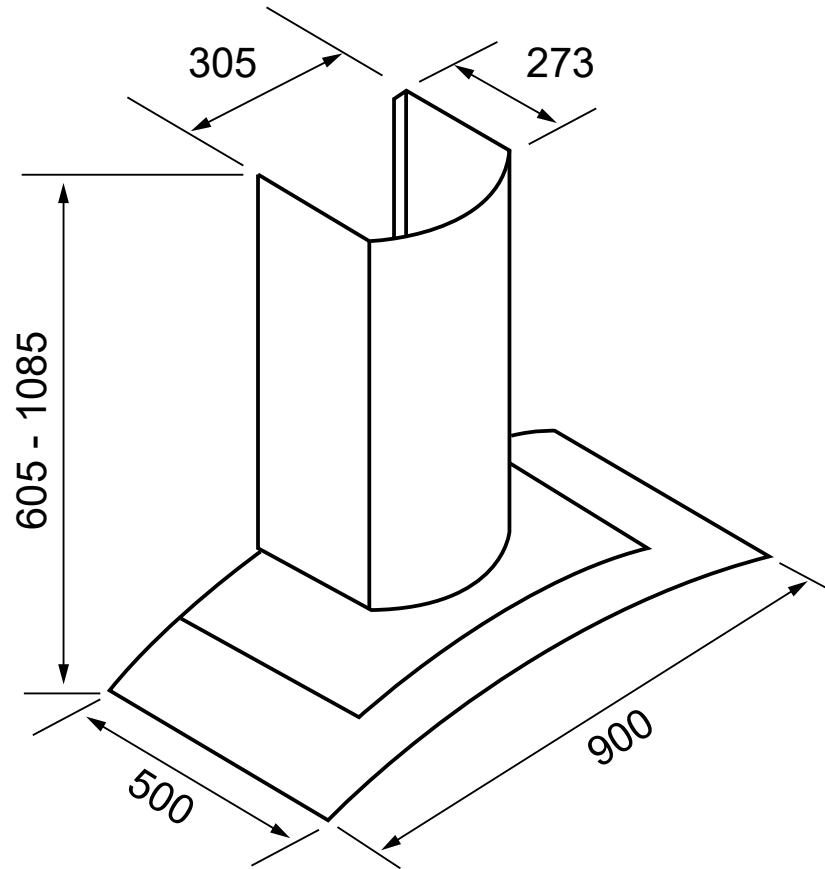


Scan for more info

# AAG9SE3

## 90cm Curved Glass Canopy Rangehood

Euromaid



### SPECIFICATIONS

Electrical Connection	10A Plug
Power	220 - 240V ~ / 50Hz
Motor Wattage	190w
LED Wattage	2 x 2w
Power Cord Length	1.5m

### DIMENSIONS (W x H x D)

Carton (mm)	950 x 570 x 460
Product (mm)	900 x 605 - 1085 x 500
Recommended Clearance (mm)	650 - 750*
Duct Diameter (mm)	150

### WEIGHT

Gross (kg)	23
Net (kg)	19

### WARRANTY

Product	2 Years Parts and Labour
---------	--------------------------

\*Install the Rangehood in accordance with the manufacturer's instructions. For optimum performance, we recommend that all Rangehood clearances be a minimum of 650mm to a maximum of 750mm between the top of the cooking surface to the underside of the Rangehood. The distance may be reduced to 600mm to align with AS/NZS 5601.

VERSION NO. 20220321

[euromaid.com.au](http://euromaid.com.au)