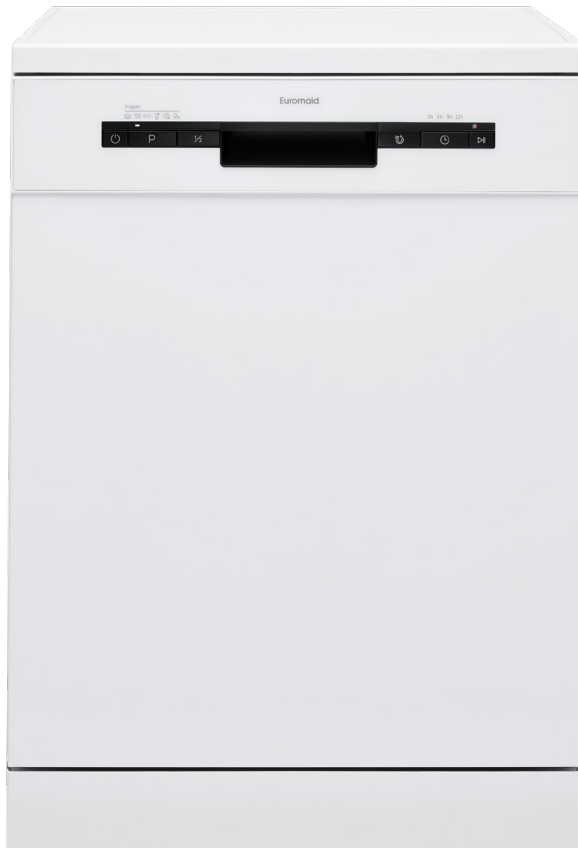


E14DWW

60cm Freestanding Dishwasher - White

Euromaid
eclipse series



Product Features

- 14 place settings
- 6 wash programs
- 2 auxiliary functions
- 3 / 6 / 9 / 12 hour delay start
- White finish
- Electronic button controls
- LED display
- Height adjustable upper basket
- 2 adjustable plate racks
- 2 spray arms
- Overflow protection



14 PLACE SETTINGS

Larger capacity to load more items - ideal for families and dinner parties.



RAPID WASH

Fast wash cycle when you need clean dishes in a hurry.



DELAY START

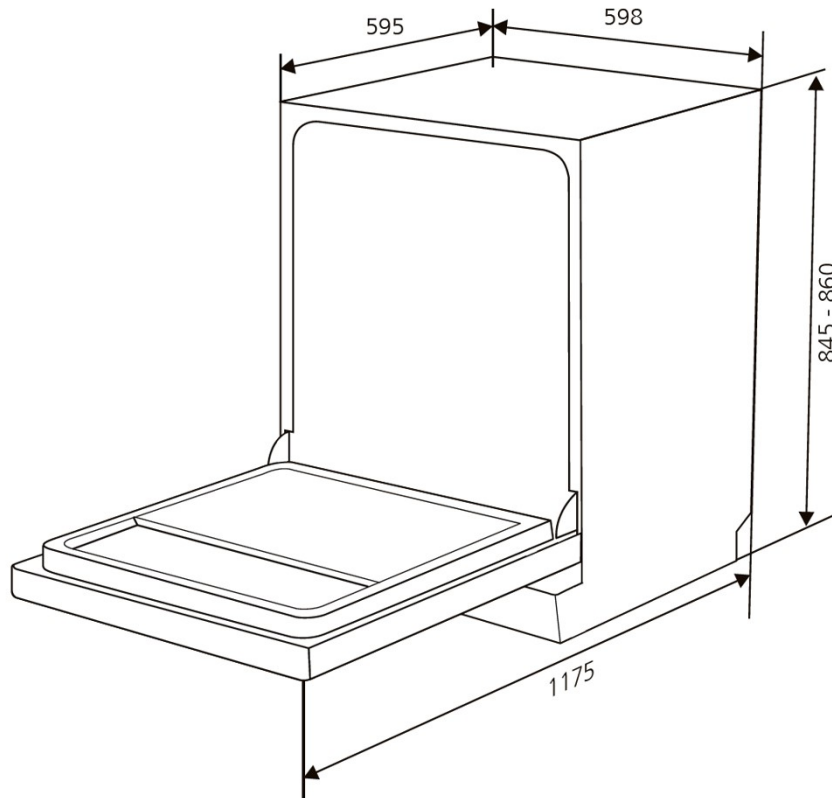
Operate your dishwasher at a time that suits you best with the 3,6,9,12 hour delay options.

9420033217465

E14DWW

60cm Freestanding Dishwasher - White

Euromaid
eclipse series



E14DWW

Dishwasher Features

Finish	White
Place Settings	14
Display	LED indicators
Controls	Electronic buttons
Control Panel Finish	White
Upper Basket Type	Height adjustable
Cutlery Basket	Included
No. of Spray Arms	2
Adjustable Plate Holders	2
Adjustable Mug Shelves	1
Drying System	Natural
Delay Start	3 / 6 / 9 / 12 hours
Floor protection	Overflow sensor
Rinse Aid Indicator	Yes
Inner Tub Material	Polycarbonate
Filter Type	3 stage

Programs

Program 1	Intensive 60°
Program 2	Heavy 55°
Program 3	ECO 45°
Program 4	90min 65°
Program 5	Glass 42°
Program 6	Rapid 40°

Auxiliary Functions

Function 1	Half load
Function 2	Extra drying

Specifications

Electrical Connection	10A plug
Power	220 - 240V / 50Hz
Total Wattage	2100W
Heating Element	1800W
Motor	Universal
Energy Rating	3 stars
Annual Energy Usage	267kWh
Water Rating	4.5 stars
Litres Per Wash Cycle	10.7 litres
Noise Level	49dB

Dimensions (W x H x D)

Product boxed (mm)	645 x 890 x 645
Product un-boxed (mm)	598 x 845 - 860 x 595
Cut-out (mm)	600 x 850 - 870 x 600

Weight

Product boxed (kg)	44.7
Product un-boxed (kg)	41.5

Warranty

2 Years	Parts and labour
---------	------------------



Revision Date: 20200820

We reserve the right to make changes to products when considered necessary and useful, without affecting the essential safety and operating characteristics. We are constantly seeking ways to improve specifications and designs of our products. Whilst every effort is made to produce up to date literature, this document should not be regarded as an infallible guide. Actual product only should be used to derive cut out sizes.

www.euromaid.com.au