

EDWB16S

60cm Freestanding Dishwasher

Euromaid



FEATURES	
Finish	Stainless Steel
Place Settings	16
Display	Red LED
Controls	Electronic Touch
Cutlery Tray	Full Size
Upper Basket Type	3 Adjustable Levels (Fully Loaded)
Cutlery Basket	Included
No. of Spray Arms	3
Adjustable Plate Holders	3
Drying System	Closed Fan
Delay Start	Up To 24Hrs
Flood Protection	Overflow Sensor + Aquastop
Rinse Aid Indicator	Yes
Internal Tub Material	Stainless Steel
Filter Type	3 Stage

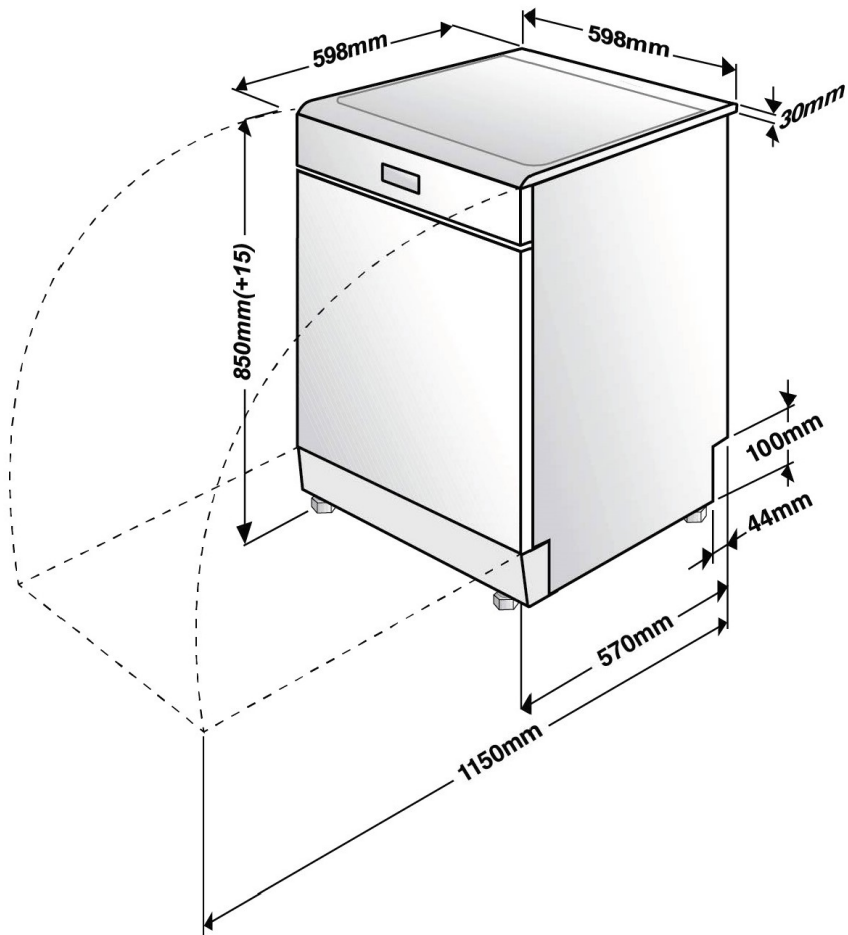
PROGRAMS	
Program 1	Eco 45°
Program 2	Auto 40 - 65°
Program 3	MixWash+ 55 - 65°
Program 4	Intensive 70°
Program 5	Quick 60°
Program 6	Glasscare 40°
Program 7	Mini 35°
Program 8	Prewash

AUXILIARY FUNCTIONS	
Function 1	Half Load
Function 2	Fast+

EDWB16S

60cm Freestanding Dishwasher

Euromaid



SPECIFICATIONS

Electrical Connection	10A Plug
Power	220 – 240V / 50Hz
Total Wattage	2100W
Heating Element	1800W
Motor	BLDC
Energy Rating	4 Stars
Water Rating	4.5 Stars
Noise Level	43dBA

DIMENSIONS (W X H X D)

Product Boxed (mm)	657 x 897 x 674
Product Un-boxed (mm)	598 x 850 – 865 x 598
Cut-Out (mm)	600 x 855 – 870 x 600

WEIGHT

Product Boxed (kg)	54.7
Product Un-boxed (kg)	50.8

WARRANTY

Product	2 Years Parts and Labour
Brushless Motor	5 Years Parts Only



VERSION NO. 20200402